

SASH-150/170

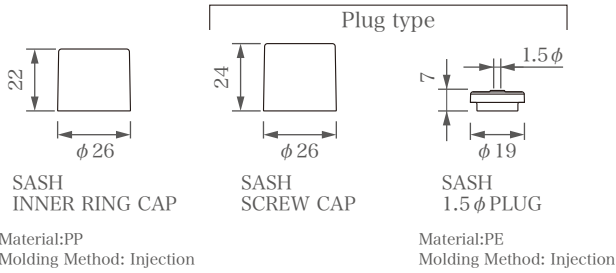
Sustainability

New Bottles with Beautiful Relief Pattern ideal for Mail Delivery!



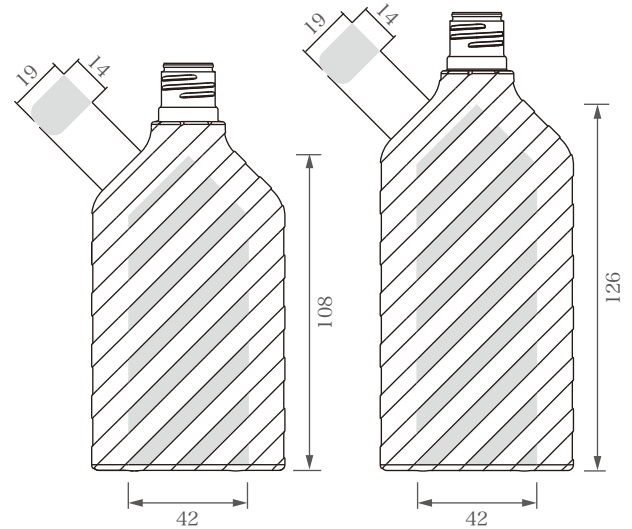
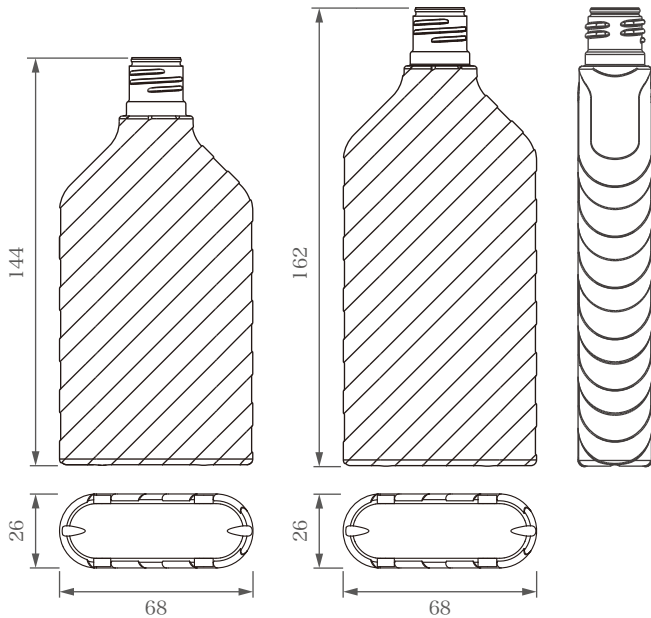
This bottle boasts a distinctive relief pattern. It's designed to be slim enough to send through the post and is available in two sizes: 150mL and 170mL. We offer two types of dedicated matte-finish caps, allowing you to choose the one that complements your product perfectly.

SASH-150/170 New Flat Bottles with Distinctive Relief Design



■ Printing Die-line

Printing is possible on the raised relief section.



※" "area on the drawing shows the maximum printing range with pad printing.

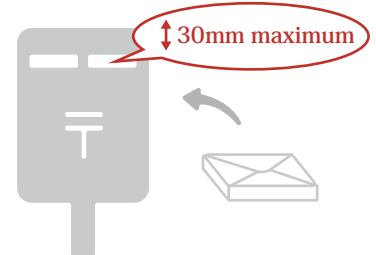
■ Ideal for mail delivery

Taking into account the thickness of the outer packaging, the bottle thickness has been set to 26mm. It's slim and convenient for taking on the go.



Containers made with plant-derived raw materials

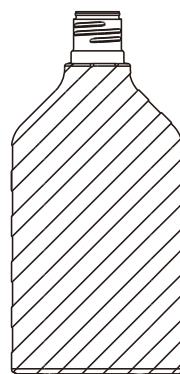
These containers are made with biomass materials in which molasses from plants (sugar cane etc.) is used as a raw material so that the ethylene used in the production of the resin is bio-based.



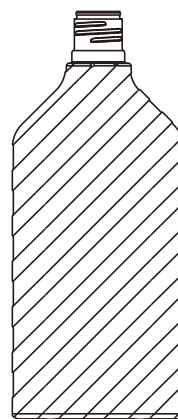
NEXT UP!

New Material Derived from Limestone

We will be introducing products using this new material, which results in a unique texture.



SASH-150
(PE+Limestone)



SASH-170
(PE+Limestone)



Decoration such as tags can add to the appeal of the design.