

EO Over Cap II M for PD-0524 Pump silver/gold

New Pump Over Cap featuring eye-catching curved lines!



- C-60 EO Two-part Cap II
- SCT II -40

- EO CAP II
- EOPI-S120

- EO Over Cap II M
for PD-0524 Pump silver/gold
- PD-0524A Pump (silver)
- EOPI-120

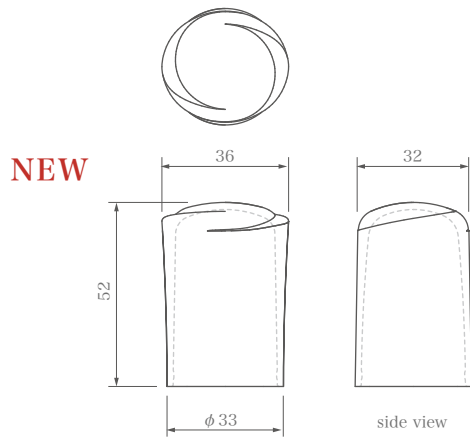
- EO Over Cap II M
for PD-0524 Pump silver/gold
- PD-0524A Pump (gold)
- CCSI-100

Introducing a new over cap for our 0.5cc gold & silver shell pumps, featuring elegant and gentle curved lines.

These pumps are compatible with TAKEMOTO's standard 24/410 (P) series bottles, offering a wide range of options to suit your product and brand image.

EO Over Cap IIM for PD-0524 Pump silver/gold

— **New Pump Over Cap featuring eye-catching curved lines!** —




EO Over for PD-0524 Pump silver/gold
Material : PET / Molding method : injection

■ Different images can be presented depending on the decoration method



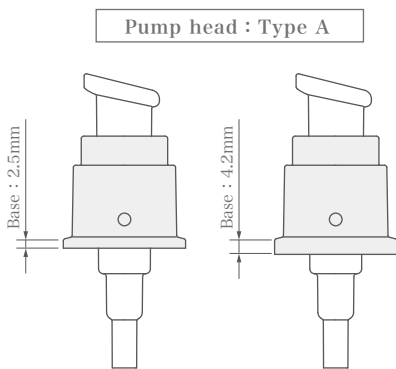
■ Compatible pumps

Shell color : Gold, Silver

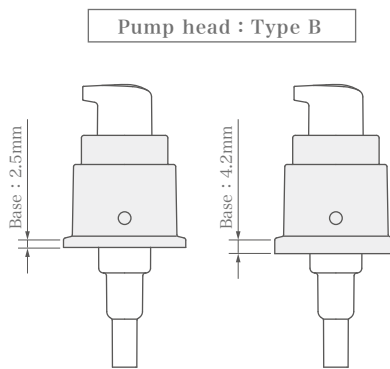
*  section in the pump drawing below



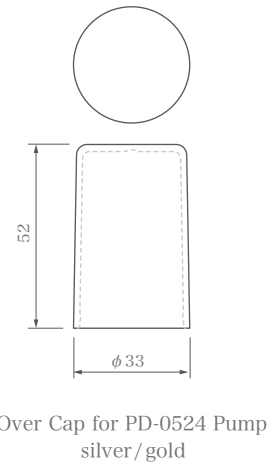
■ Straight type also available



PD-0524A Pump (gold)
PD-0524A Pump (silver)



PD-0524B Pump (gold)
PD-0524B Pump (silver)



Over Cap for PD-0524 Pump
silver/gold

* There are restrictions on compatible bottles depending on the height of the shell base.

■ EOPI Series

When used with the EOPI Series, a full product lineup can be developed in the same style.



From the left:
EOPI-50
EOPI-120
SCT-II 40
EOPI-S120
S-PPC-100

■ Selected 24/410 (P) Series bottle combinations

These pumps are compatible with TAKEMOTO's standard 24/410 (P) Series neck, offering a wide variety of compatible bottles.



From the left:
CCSI-100
ELPI-120
PEW-80A
PMP-200D