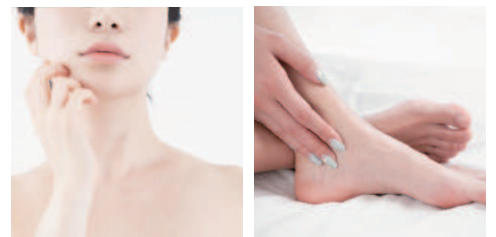


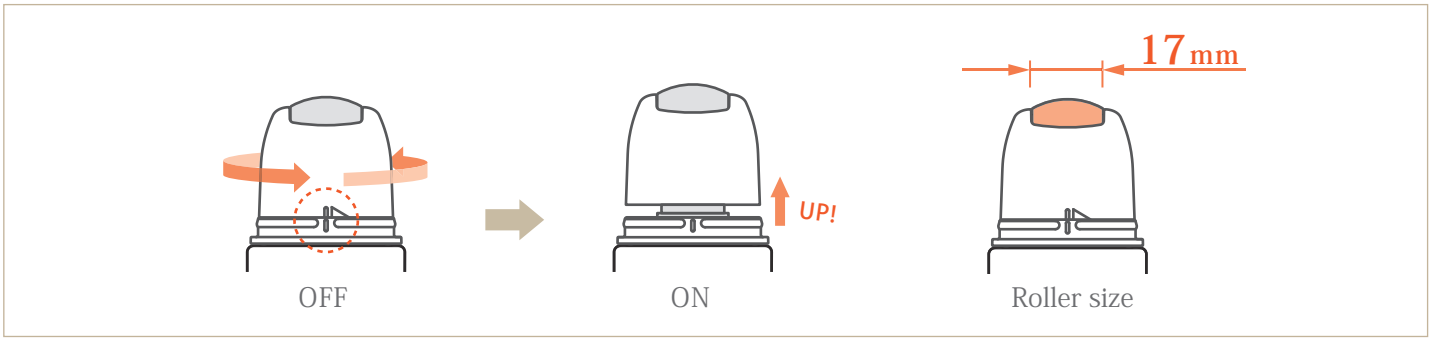
Rollon Series

Roller Bottle and Tottle Series for spot care



Formula can be applied directly to the skin with the roller. The wide, barrel-type stainless roller makes application to large areas easy. With the use of the roller, formula can be applied evenly and without waste, for concentrated care of areas such as face contours and the neck.





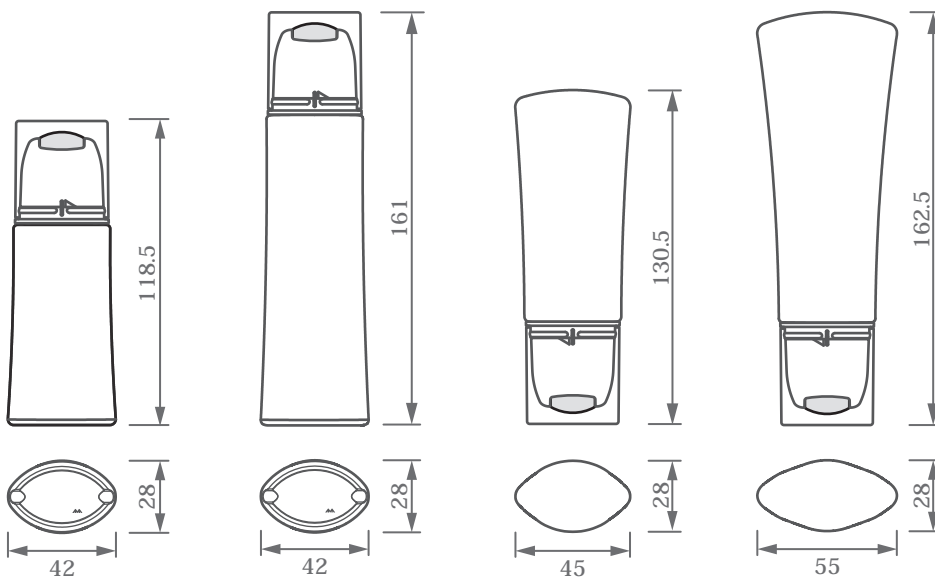
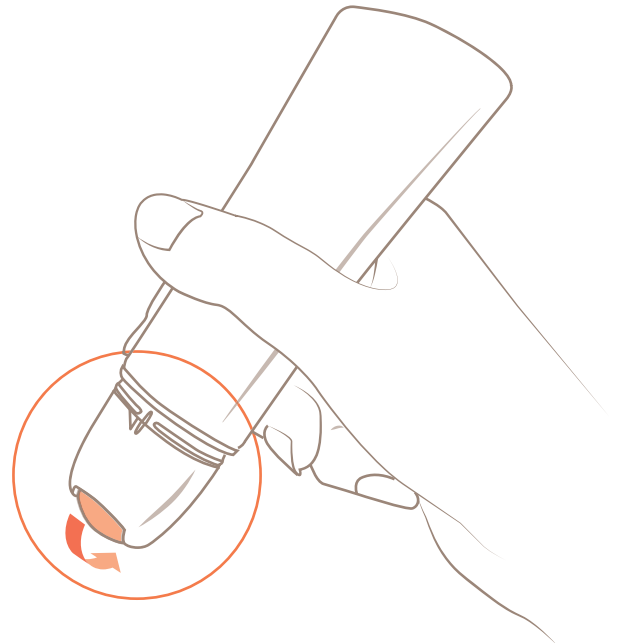
ON · OFF Function

Formula can be dispensed by turning the head and applied to the skin by rolling the roller. The rounded design of the head feels good on the skin.

The 17mm wide stainless roller uses makes it easy to apply formula to a large area.

Ergonomic Design

Easy to hold and use oval shape. The tapered form of the bottle means it can be held without slipping during use. The squeezable design adds to the ease of use.



※ Material:
 Bottle = HDPE+LDPE
 Roller CAP = PP+SUS304
 Over CAP = PP
 ※ Molding method:
 Bottle = Extrusion Blow Molding
 Cap = Injection

ROLLON-50

ROLLON-80

ROLLON-50D

ROLLON-80D