

ST-Cap II Series

NEW Stylish and more user-friendly!
Tamper-evident Caps!



ST-62 φ Cap II
PST-135

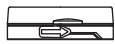
※ Sizes from 35 φ to 100 φ available.



NEW ST-Cap II Series Lineup



ST-35 φ Cap II



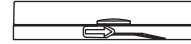
ST-49 φ Cap II



ST-62 φ Cap II



ST-75 φ Cap II



ST-85 φ Cap II



ST-100 φ Cap II



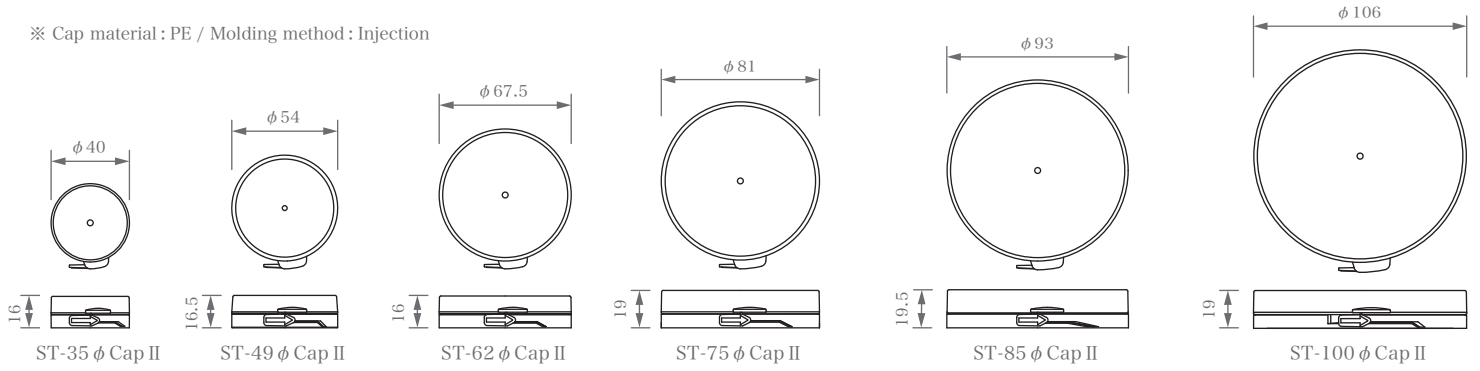
The tab for removing the security band has been rounded to be gentle on the fingers.

A new lineup of caps with increased ease of use has been added to our range of tamper-evident closures that allow you to see if the container has been opened at a glance.

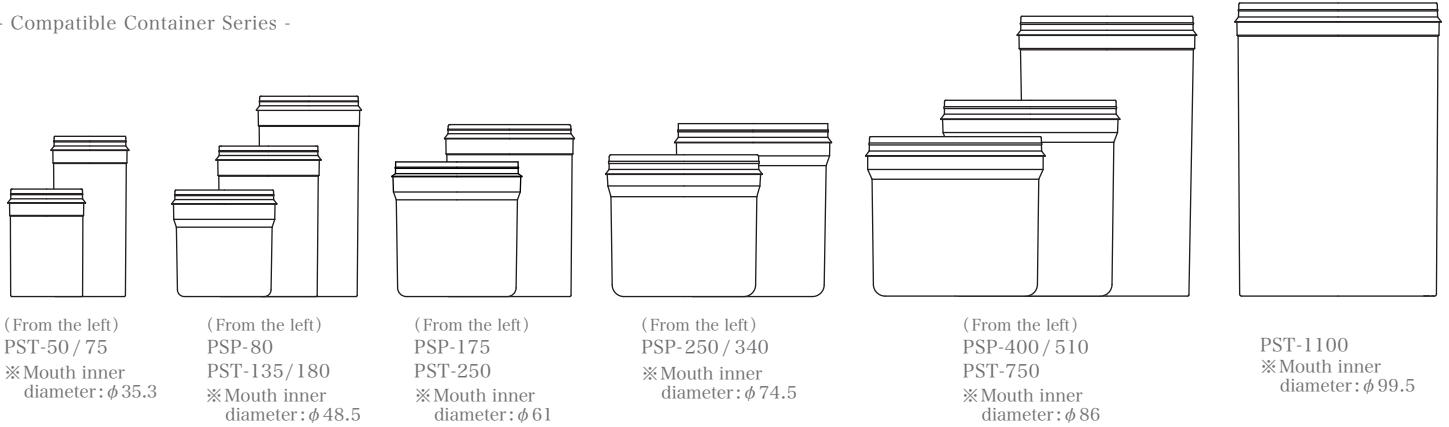
Offering safety and peace of mind and simple processing without the need for shrink bands. With their clean design, these caps can be used for a wide range of applications including cosmetics. Recommended for powders, solids and creams. There is a wide range of container capacities available to suit a variety of needs.

ST-Cap II Series – New Lineup of Tamper-evident Caps! –

※ Cap material : PE / Molding method : Injection



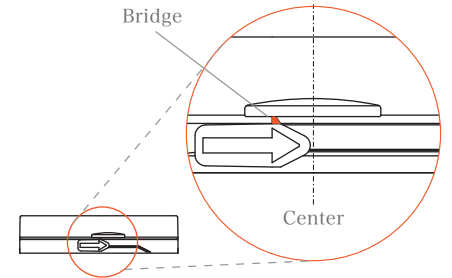
- Compatible Container Series -



※ Container material : PP / Molding method : Injection

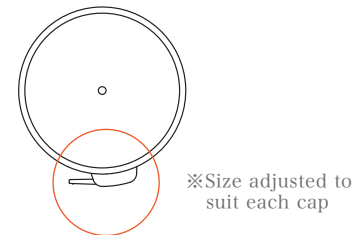
■ Easy-grip Design

- The tab for removing the tamper-evident band is rounded to be gentle on the fingers. It is also large enough to open with ease.
- By shifting the position of the tab from the center of the lip for opening the lid, it is easy to grip and little remains of the bridge after opening to catch on the fingers.



■ Easy-opening Design

- The width and depth of the opening lip have been adjusted for each size to allow ease of opening. The rounded shape is gentle on the fingers.



■ Flat Top Surface

- The flat top surface makes labelling possible.

ST-Cap Series Lineup

- ST-Cap Series is also available in the same sizes. The series features ribs that present a different style. Choose from these two options to suit the application. ※ The top surface is textured.

