

T-35 ϕ / 40 ϕ Oval Flip-Top Tube

New slim oval tubes
ideal for mail delivery!



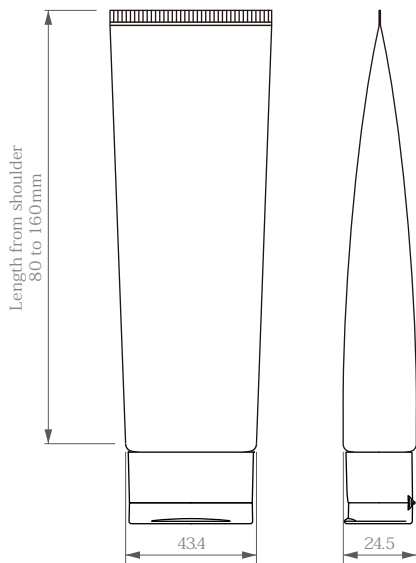
Oval tubes designed to fit mail boxes (25mm / 30mm width).
Ideal for a wide range of products from hair care,
body care, skin care to food.



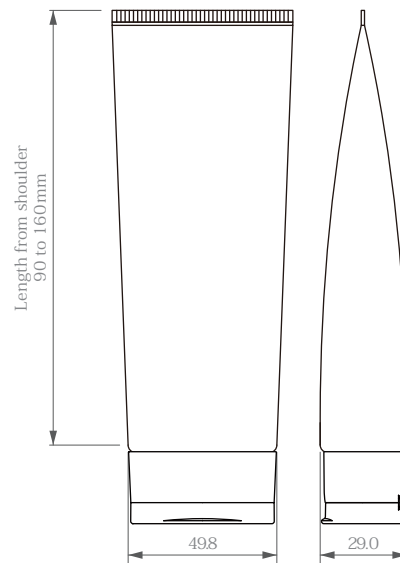
T-35 ϕ / 40 ϕ Oval Flip-Top Tube

— Slim oval tubes ideal for mail delivery! —

T-35 ϕ Oval Flip-Top Tube



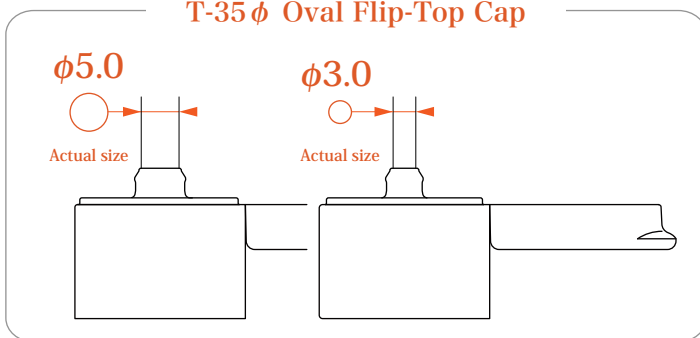
T-40 ϕ Oval Flip-Top Tube



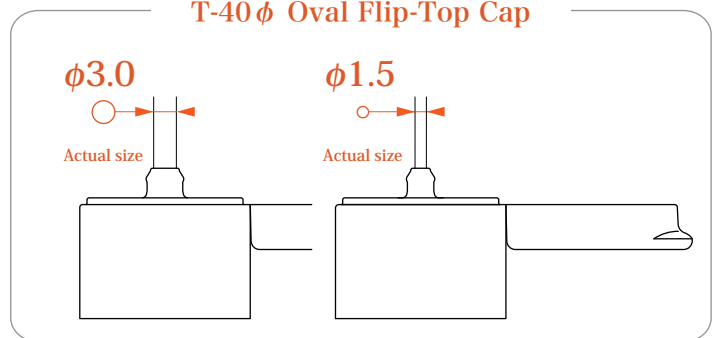
Material
Tube : LDPE/EVOH
Cap : PP

■ Orifice size options available to suit the contents

T-35 ϕ Oval Flip-Top Cap

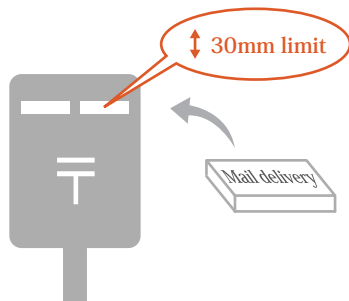


T-40 ϕ Oval Flip-Top Cap



■ Mail box delivery size

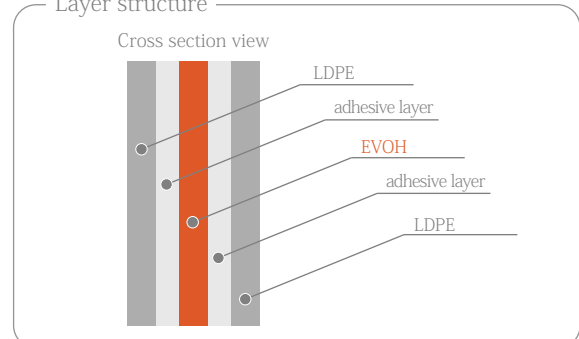
Assuming the use of an outer box, tube width has been set to 29mm (T-40 ϕ) or less. Compared to flexible packaging, these tubes have real presence and are self-standing.



■ Multi-layer structure with superior oxygen barrier

EVOH layer in the center provides excellent oxygen and odor barrier properties.

Layer structure



■ Tube length from shoulder Chart

Tube length from shoulder (mm)		80	90	100	110	120	130	140	150	160
Capacity (ml)	35 ϕ	44.8	53.3	61.3	70.2	80.4	90.4	99.3	108.6	118.3
	40 ϕ		75	86.6	98.6	109.4	122.2	134.5	147.8	160.3

※ Capacity is measured in upright position (2mm end of shoulder radius)
※ Capacity is measured with water